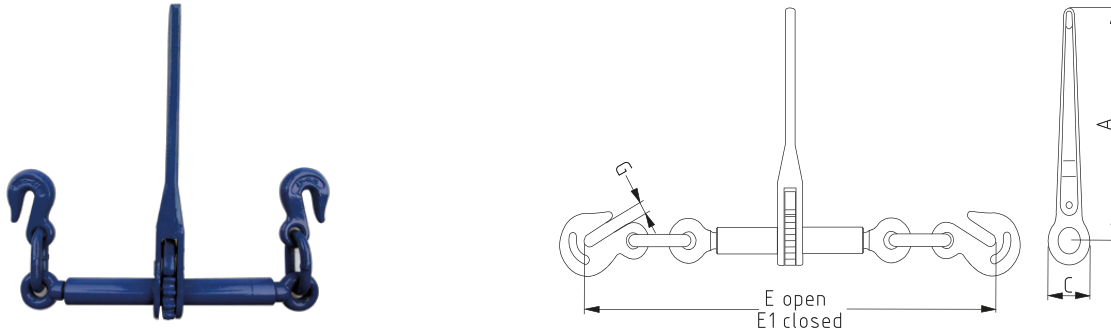


Cargo securing equipment

3150 - Load binder ratchet type



Description:

- Designed for heavy duty transport use
- Ratchet handle allows infinite adjustment and continuous take-up
- Short reach hooks allow for maximum take-up
- CE, Traceability code, GRIPTON embossed

Standard: EN 12195
 Material: Forged carbon steel
 Factor of safety: 3.5 to 1
 Construction: Quenched & tempered
 Proof load: Individually proof tested to 2 times of working load limit
 Finish: Powder coated

| Load binder ratchet type | | | | | | | | | |
|--------------------------|--------------|-----------|-----------|--------|--------|--------|---------|--------|------------------|
| Part No. | Size | WLL (lbs) | MBL (lbs) | A (in) | C (in) | E (in) | E1 (in) | G (in) | Net weight (lbs) |
| 3150.0810 | 5/16" - 3/8" | 5400 | 19000 | 13.98 | 2.56 | 22.95 | 29.29 | 0.50 | 10.36 |
| 3150.1013 | 3/8" - 1/2" | 9200 | 33000 | 13.98 | 2.56 | 23.74 | 30.24 | 0.65 | 11.24 |
| 3150.1316 | 1/2" - 5/8" | 13000 | 46000 | 13.98 | 2.56 | 27.17 | 33.86 | 0.73 | 15.83 |