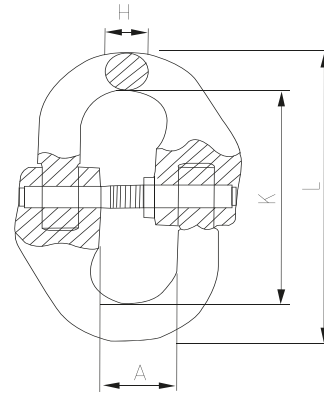


Grade 80 chain and accessories

8010 - Connecting link



Description:

- Designed for use with grade 80 alloy steel chain
- Used for connecting alloy steel chain to components
- Size, CE, WLL, Traceability code & GPT embossed

Standard: EN 1677
 Material: Forged alloy steel
 Factor of safety: 4 to 1
 Construction: Quenched & tempered
 Proof load: 2 times of working load limit
 Finish: Powder coated

Connecting link						
Part No.	WLL (T)	A (mm)	L (mm)	K (mm)	H (mm)	Weight (Kg)
8010.0078	2	18.00	79.50	62.50	8.5	0.15
8010.0010	3.15	25.00	93.00	68.00	10.8	0.30
8010.0013	5.3	29.00	117.00	87.00	15	0.70
8010.0016	8	34.50	148.00	108.40	19.8	1.10
8010.0020	12.5	41.00	169.50	121.50	24	1.90
8010.0022	15	48.00	193.50	141.50	26	3.20
8010.0026	21.2	57.5	220	158.00	30	4.50