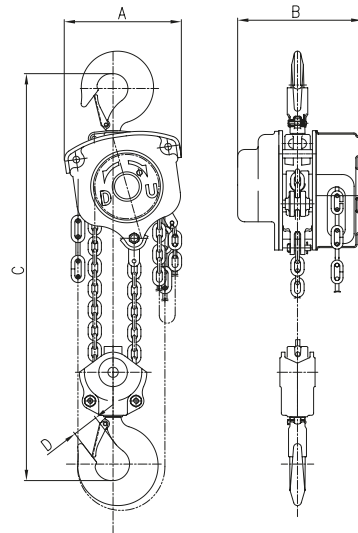


Material handling equipment

6130 - Chain block



Description:

- Compact design & light weight for ease of use
- Heat treated body, shafts & gears for enhanced strength
- Forged lifting and suspension hooks, with safety latches
- CE, Serial number, SWL & H.O.L shown on label and carton

Standard:	EN 13157
Material:	Forged alloy steel
Factor of safety:	4 to 1
Construction:	Quenched & tempered
Proof load:	Individually proof tested to 1.5 time of working load limit
Finish:	Powder coated

Chain block

Part No.	Rated load (T)	Standard lift (M)	Test load (T)	Effort required at capacity (N)	Load chain diameter (mm)	No. of load chains	A (mm)	B (mm)	C (mm)	Net weight (Kg)	Extra weight per meter of extra lift (Kg)
6130.0005	0.5	3	0.75	262	5.00	1	127	115	288	7	1.5
6130.0010	1	3	1.5	324	6.00	1	156	131	334	10.5	1.8
6130.0015	1.5	3	2.25	395	7.10	1	180	142	415	15.5	2
6130.0020	2	3	3	330	6	2	156	131	459	16	2
6130.0030	3	3	4.5	402	7.1	2	180	142	536	23	3.2
6130.0050	5	3	7.5	430	10	2	230	171	660	39	5.3
6130.0100	10	3	12.5	438	10	4	410	171	738	69	9.8
6130.0200	20	3	25	438	10	8	645	215	1002	156	19.6
6130.0300	30	3	37.5	442	10	10	710	398	1050	237	23.9