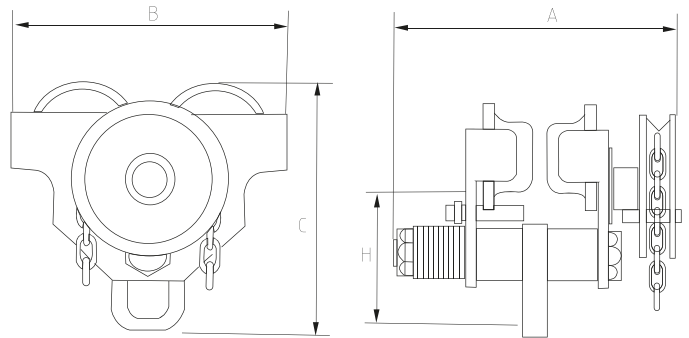


Material handling equipment

6550 - Geared trolley



Description:

- Suitable for flat and minor irregular surfaces
- Easy installation
- Hand chain drop allows to and fro movement
- Suspension eye allows easy connection to hooks and other lifting gears
- CE, Traceability code, WLL & GRIPTON mentioned on label

Standard:	EN 12195
Material:	Carbon steel
Factor of safety:	4 to 1
Construction:	Quenched & tempered
Proof load:	Individually proof tested to 1.5 time of working load limit
Finish:	Powder coated

Geared trolley

Part No.	WLL (T)	I beam recommended A (mm)	I beam recommended B (mm)	A (mm)	B (mm)	C (mm)	H (mm)	Net weight (Kg)
6550.0010	1	80 - 146	64 - 140	180	375	4	220	14
6550.0020	2	80 - 168	76 - 165	180	375	6	220	16
6550.0030	3	88 - 168	76 - 203	220	498	8	271	24
6550.0050	5	100 - 170	88 - 203	220	498	10	271	36
6550.0100	10	122 - 203	125 - 203	410	389	460	237	90